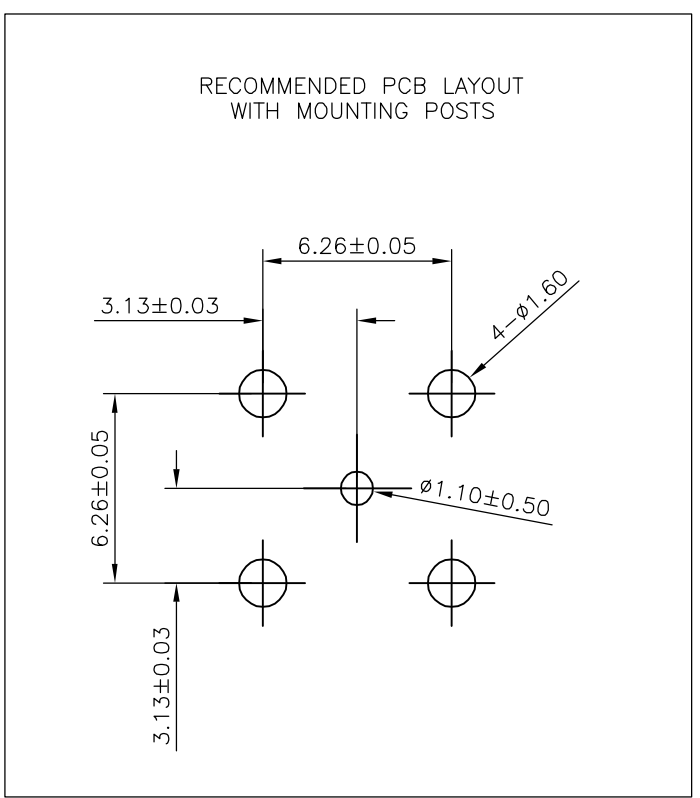
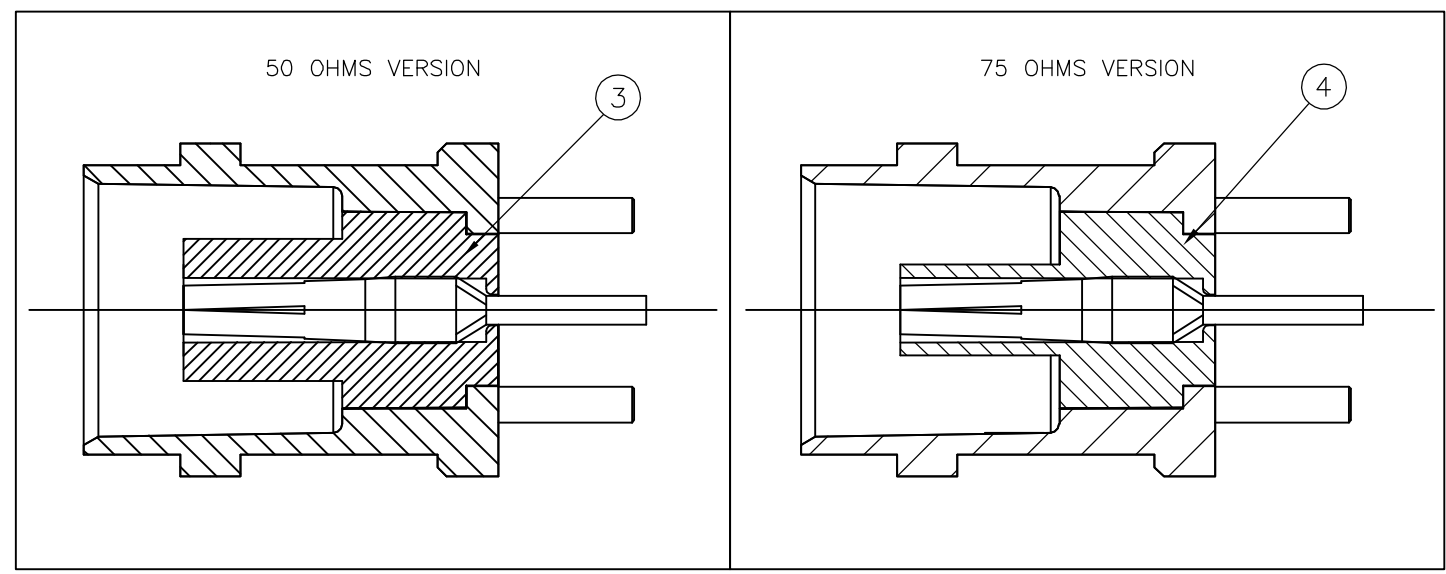
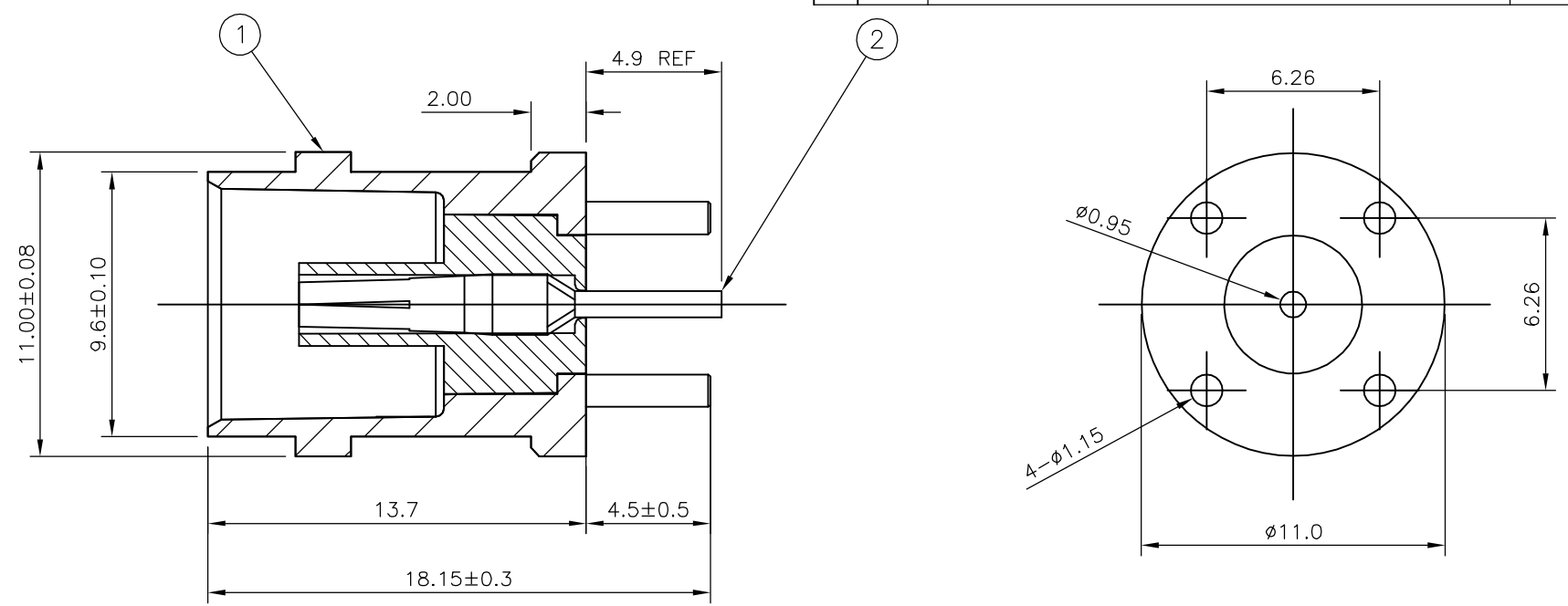


THIS DRAWING IS UNPUBLISHED. RELEASED FOR PUBLICATION SEP ,2004.
 © COPYRIGHT 2004 BY TYCO ELECTRONICS CORPORATION. ALL RIGHTS RESERVED.

LOC	DIST	REVISIONS					
E	B	P	LTR	DESCRIPTION	DATE	DWN	APVD
		B		EBD0-0381-04	17NOV04	JMS	FWK

- NOTES**
- ① 100 TRAY PACK IN ACCORDANCE WITH AMP SPEC 107-3275
 - ② SINGLE PACK IN ACCORDANCE WITH AMP SPEC 107-3275
 - ③ Au PLATING OVER Ni PLATING OVER Cu PLATING
 - ④ Ni PLATING OVER Cu PLATING
5. **CHARACTERISTICS**
- | | |
|-------------------------------|----------------|
| FREQUENCY RANGE (50 OHMS): | DC-4GHz |
| FREQUENCY RANGE (75 OHMS): | DC-2GHz |
| INSULATION RESISTANCE: | 5000 MOHMS |
| WORKING VOLTAGE: | 500V |
| DIELECTRIC WITHSTAND VOLTAGE: | 1500V RMS |
| TEMPERATURE RATE: | -55°C TO +85°C |
| CONTACT RESISTANCE: | 3 mOHMS |
6. **MECHANICAL CHARACTERISTICS**
- | | |
|-------------|-----------|
| DURABILITY: | 50 CYCLES |
|-------------|-----------|



QTY	1	2	3	4	MATERIAL	DESCRIPTION	ITEM
	1	1	-	-	POLYMETHYLPENTENE	INSULATOR	4
	-	-	1	1	POLYMETHYLPENTENE	INSULATOR	3
	1	1	1	1	PHOS BRONZE	CONTACT	2
	1	1	1	1	ZINC ALLOY	BODY	1
	5--3	5--2	5--1	5--0	MATERIAL	DESCRIPTION	ITEM

THIS DRAWING IS A CONTROLLED DOCUMENT.		DWN	J.SANDWELL	04MAR04	tyco Electronics	Tyco Electronics Corporation Bideford, UK, EX39 4HE		
DIMENSIONS: mm		CHK	S.PARLOW	04MAR04		NAME BNC STRAIGHT LOW PROFILE PCB SOCKET		
TOLERANCES UNLESS OTHERWISE SPECIFIED:		APVD	F.WHEELER-KING	04MAR04	SIZE A3			
0 PLC ± -		PRODUCT SPEC		CAGE CODE		DRAWING NO		RESTRICTED TO
1 PLC ± -		APPLICATION SPEC		00779		C-1634503		-
2 PLC ± -		WEIGHT		SCALE		SHEET		REV
3 PLC ± -		MATERIAL		NTS		1 OF 1		B
4 PLC ± -		FINISH		CUSTOMER DRAWING				
ANGLES ± -								