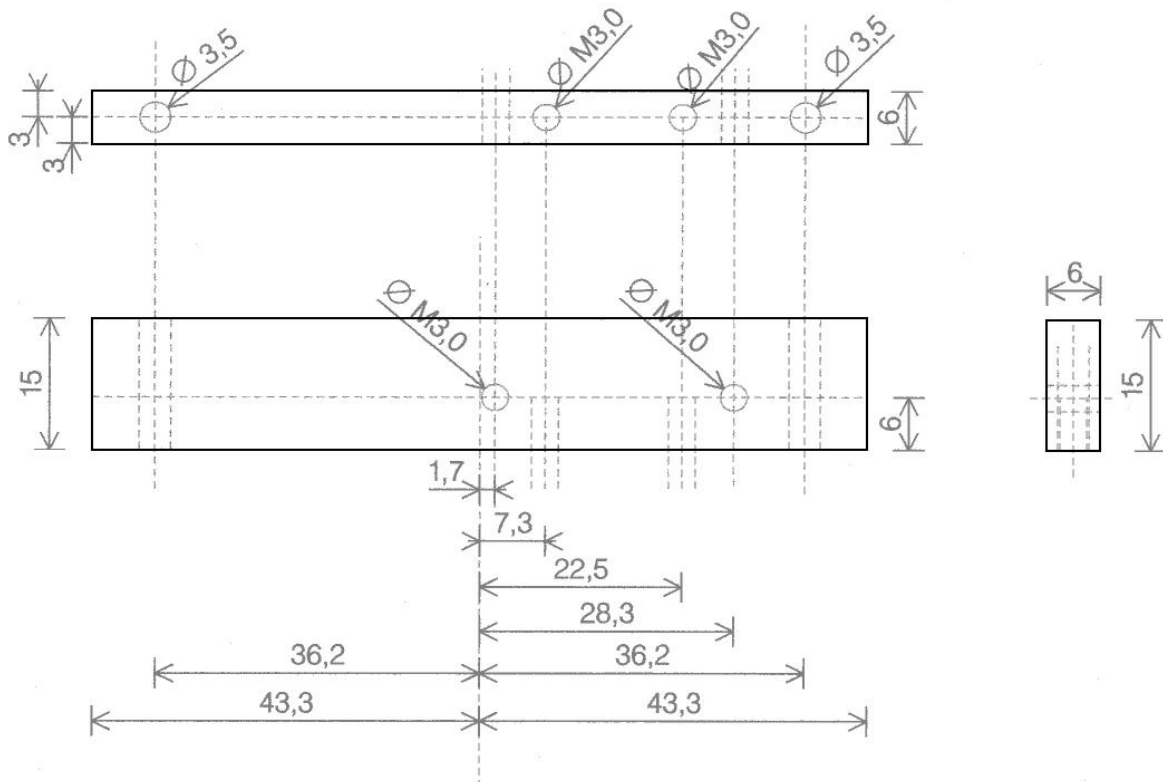


OZ4HZ 144 MHz TX for APRS tracker PCB H06001 Components list (Correction date 20 JAN 2007)

Quantity	Reference	Part	
16	C1,C12,C17, C20,C22,C23,C25, C26,C27,C31,C32, C33,C35,C39,C40	1nF ceramic capacitor size 0805 or 0603 XR7 10%	(Farnell 3019871)
5	C2,C13,C15,C21 C50	12pF ceramic capacitor size 0805 or 0603 NPO 5%	(Farnell 721979)
1	C3	180pF ceramic capacitor size 0805 or 0603 NPO 5%	(Farnell 3019494)
1	C4	82pF ceramic capacitor size 0805 or 0603 NPO 5%	(Farnell 722078)
2	C5,C7	18pF ceramic capacitor size 0805 or 0603 NPO 5%	(Farnell 721992)
1	C6	1pF ceramic capacitor size 0805 or 0603 NPO 5%	(Farnell 721840)
1	C8	68pF ceramic capacitor size 0805 or 0603 NPO 5%	(Farnell 722066)
5	C9,C19,C24,C28, C36	10nF ceramic capacitor size 0805 or 0603 XR7 10%	(Farnell 3019937)
3	C10,C29,C37	100nF ceramic capacitor size 0805 or 0603 XR7 10%	(Farnell 3019949)
1	C11	10uF /16V tantalum capacitor case Size B	(Farnell 967117)
3	C14,C34,C49	0.56pF ceramic capacitor size 0805 or 0603 NPO 5%	(Farnell 721815)
1	C16	2.7pF ceramic capacitor size 0805 or 0603 NPO 5%	(Farnell 721890)
2	C30,C38	22uF /16V Miniature radial electrolytic capacitor	(Farnell 9452206)
6	C41,C42,C43,C44, C45,C46	33pF ceramic capacitor size 0805 or 0603 NPO 5%	(Farnell 722029)
2	C47,C48	22pF ceramic capacitor size 0805 or 0603 NPO 5%	(Farnell 722005)
1	D1	BBY40	(Farnell 1081217)
1	D2	BZX84C6V2 zenerdiode 6.2V	
4	D3,D4,D5,D6	BA595	(Farnell 1095637)
1	D9	BZX84C3V9 zenerdiode 3.9V	
1	D7,8	BAV99 Dual diode	
3	Dr1,Dr2,Dr3	2.2uH size 0805 EPCOS B82498B series	(Farnell 4000614)
1	Dr4	0.47uH size 0805 EPCOS B82498B series	(Farnell 4000547)
1	F1	10nF T-FILTER ZJSR5101-103TA (TDK)	(or Murata Farnell 9527389)
1	L1	Coil 2.0uH or	TOKO 113CN2255HM
2	L2, L3	0.75uH coil 12 1/4 turns on NEOSID 7.1S F40	or TOKO 113KNS2K241DC
4	L4, L5, L7	VHF coil or	TOKO 113SNS2K180BM
1	L6	VHF coil (2 windings) or	TOKO 113SNS2K180BM
4	L8, L9, L10, L11	56nH NEOSID HEM0831B SMD coil or homemade	
3	Q1, Q2, Q3	BFS17A NPN RF transistor	(Farnell 1081302)

OZ4HZ 144 MHz TX for APRS tracker PCB H06001 Components list

Quantity	Reference	Part
1	Q4	BC847,BC848,BC849 or similar NPN transistor
2	R1 R2	100 Kohm 1% size 0805 (RC12H)
3	R3, R9,R12	4.99 Kohm 1% size 0805 (RC12H)
2	R4, R5	33 Kohl 1% size 0805 (RC12H)
3	R6, R14, R17	2.2 Kohm 1% size 0805 (RC12H)
3	R7, R10, R16	470 Ohm1% size 0805 (RC12H)
2	R8, R11	22 Kohm 1% size 0805 (RC12H)
1	R13	220 Ohm 1% size 0805 (RC12H)
1	R15	50 Kohm BOURNS TYPE 3362P Variable Resistor (Farnell 9354387)
1	U1	RA08H1317M
1	X1	16.xxx MHz HC49U 30pF par. resonance 10ppm max.ESR 25 Ohm
10	P1, P2, P3, P4, P5, P6, P7, P8, P9,P10	AL33G (Mfg ASSMANN)
4		Screws M3x6 mm
1		Heatsink Al 15x6 mm length 86.6 mm (see drawing below)



Heatsink for power module: Material : Al profile 15x6 mm Length 86.6 mm. All measures in mm. M3.0 = 3.0mm thread.